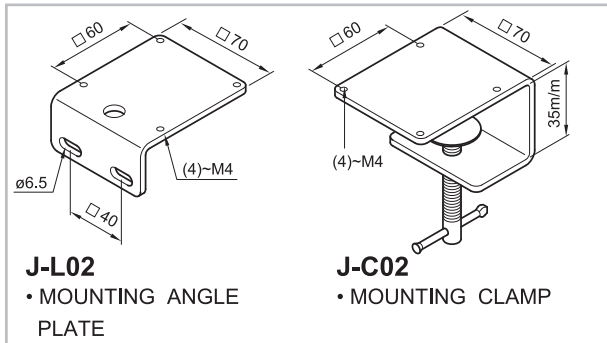


LED WORK LIGHT

IP65

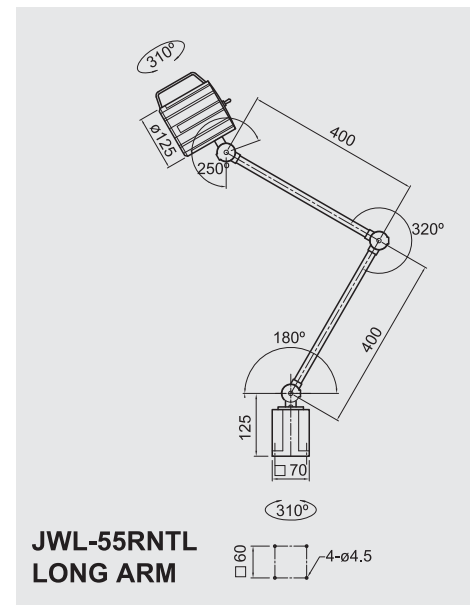
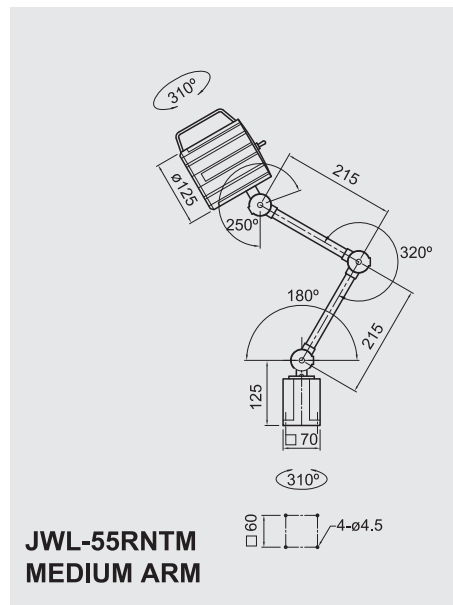
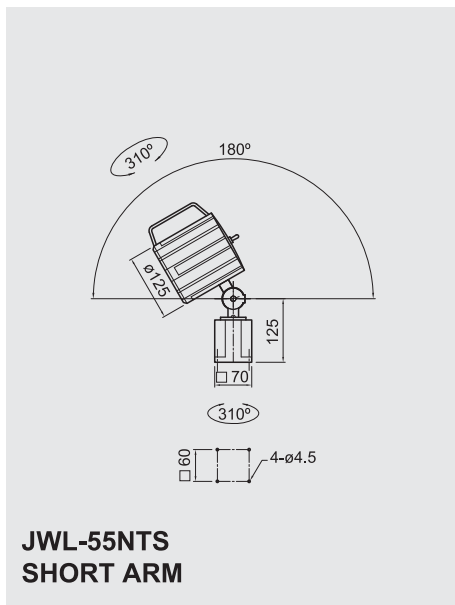
OPTION



• JWL-55NTS • JWL-55RNTM • JWL-55RNTL

DIMENSION DRAWINGS

Unit:mm



JWL-55RNT Series

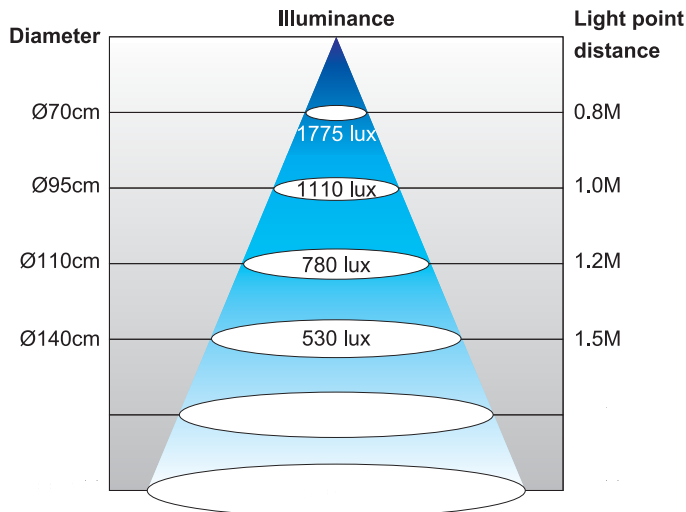
LED driver is built in the base

Equipped with a LED driver for directly connecting to voltage of AC power. (100V~240V) (50Hz/60Hz) with 1.8 meters of cord and plug. (For high voltage)

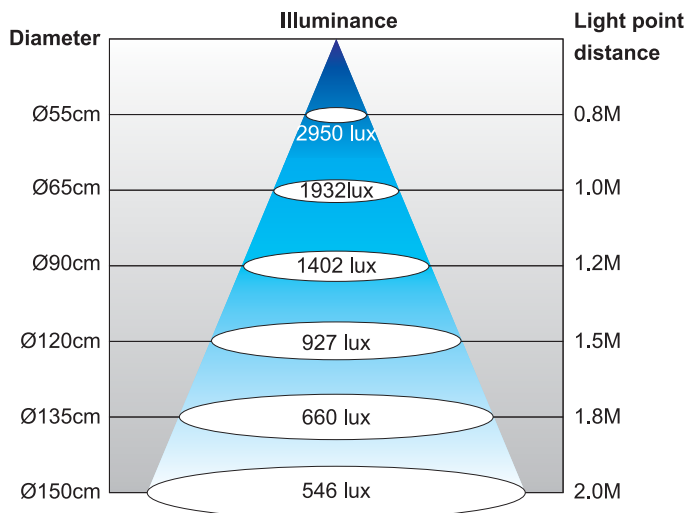
Feature

- Various lighting angles to select 25°, 60° and 80°. Standard lighting angle is 60°.
- Power of each LED bulb is 2W x 6pcs.
- 3W bulb is available upon request. Brightness is increased by up to 30%.
- LED driver can be externally mounted for increasing LED bulbs.
- Reinforced lense for high crack-resistance.
- Reinforced lense provides clear (transparent) or sand blasted (foggy) surface to choose from.
- Well prevention for explosion, dust, coolant and lubricant.
- Long service life up to 40,000 lighting hours.
- Applicable for semiconductor manufacturing equipment and clean room.
- Suitable for temperature range -30° ~ +50°.
- Free of infrared ray and ultraviolet ray radiation.

Power LED 2Wx6 80°



Power LED 2Wx6 60°



Power LED 2Wx6 25°

